

HDMI Switch

# USER MANUAL

ENJOY THE VIVID WORLD

LAN • RS232



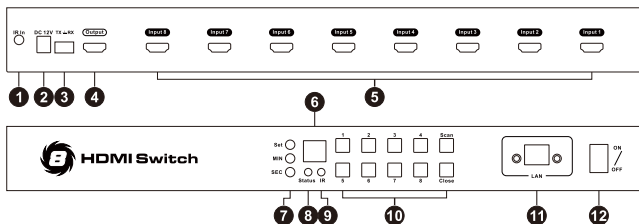
## **Features:**

- With EDID emulators in each input port, keep PCs always having correct display information
- Support hot plugged, connect or disconnect devices to the HDMI switch at any time and without turning off devices
- Support auto switching to monitor computers in a specified time interval
- Support front panel buttons, IR signals, RS232 serial commands or IP commands to control HDMI switch
- Support resolution up to 3840\*2160@60Hz 4:4:4
- Supports DVI-D single link sources and displays with the use of HDMI-to-DVI adapters
- Auto input detect and switch

## **Packing List:**

- 1 \* 8x1/16X1 HDMI Switch
- 1 \* DC 12V power adapter
- 1 \* IR remote control
- 1 \* IR Receiver cable
- 1 \* 3Pins Connector (For RS232)
- 2 \* Rack-ears
- 1 \* User's Manual

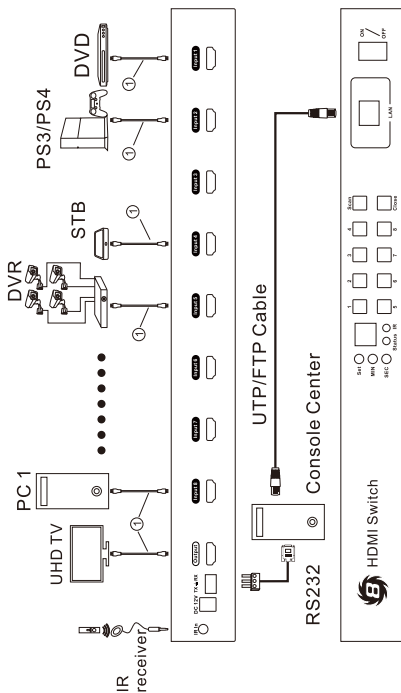
## 8x1 Panel Description:



| ID | Name             | Description  |
|----|------------------|--|
| 1  | IR extension in  | Connect IR receiver extension cable to this port, then it is able to use IR control even the switch is installed in a rack |
| 2  | DC 12V           | DC 12V power supply  |
| 3  | RS232            | Connect this port to any control termination, then it is able to select the input sources by sending RS232 commands        |
| 4  | HDMI output      | Connect to HDMI display  |
| 5  | HDMI input ports | Connect to HDMI source device  |
| 6  | LED display      | Display current selected input source number   |

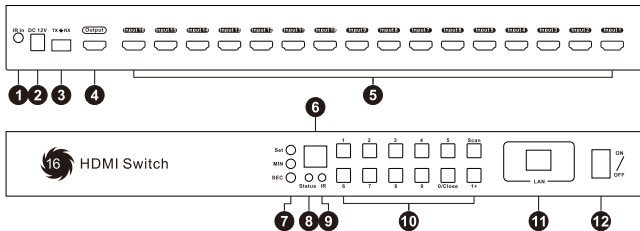
| ID | Name                             | Description  |
|----|----------------------------------|--|
| 7  | Auto scan time interval settings | <p><b>[MIN]</b>: Press button <b>[MIN]</b> to loop between 0~59 minutes</p> <p><b>[SEC]</b>: Press button <b>[SEC]</b> to loop between 0~59 seconds</p> <p><b>[Set]</b>: After setting minutes and seconds, press button <b>[Set]</b> to enter final scan time interval</p>  |
| 8  | Status LED                       | <p><b>Green</b>: Turn on auto scanning mode</p> <p><b>Red</b>: Turn off auto scanning mode</p>   |
| 9  | IR receiver                      | Receive IR signal  |
| 10 | Keypad                           | <p><b>1~8</b>: Press these button to directly select input 1~8 sources</p> <p><b>[Close]</b>: Press this button directly will turn on or off the HDMI display and LED display</p> <p><b>[Scan]</b>: Press this button to start or stop automatically scan between input 1 to input 8, the interval time can be set by button <b>[Set]</b>, <b>[MIN]</b>, <b>[SEC]</b> as described above</p> |
| 11 | LAN port                         | Connect this port to local area network, then it is able to sends TCP/IP commands to select input source   |
| 12 | Power switch                     | Turn on or off power supply of the switch  |

## 8x1 Connection Diagram:



**Note:** ① HDMI cable

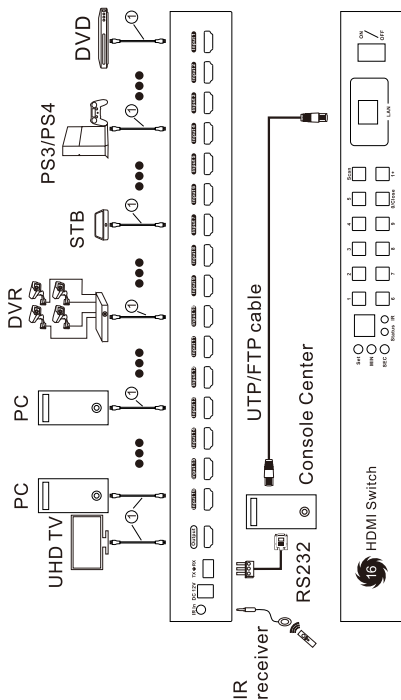
## 16x1 Panel Description:



| ID | Name             | Description  |
|----|------------------|--|
| 1  | IR extension in  | Connect IR receiver extension cable to this port, then it is able to use IR control even the switch is installed in a rack |
| 2  | DC 12V           | DC 12V power supply  |
| 3  | RS232            | Connect this port to any control termination, then it is able to select the input sources by sending RS232 commands        |
| 4  | HDMI output      | Connect to HDMI display  |
| 5  | HDMI input ports | Connect to HDMI source device  |
| 6  | LED display      | Display current selected input source number   |

| ID | Name                             | Description  |
|----|----------------------------------|--|
| 7  | Auto scan time interval settings | <p><b>[MIN]</b>: Press button <b>[MIN]</b> to loop between 0~59 minutes</p> <p><b>[SEC]</b>: Press button <b>[SEC]</b> to loop between 0~59 seconds</p> <p><b>[Set]</b>: After setting minutes and seconds, press button <b>[Set]</b> to enter final scan time interval</p>  |
| 8  | Status LED                       | <p><b>Green</b>: Turn on auto scanning mode</p> <p><b>Red</b>: Turn off auto scanning mode</p>   |
| 9  | IR receiver                      | Receive IR signal  |
| 10 | Keypad                           | <p><b>1~9</b>: Press these button to directly select input 1~9</p> <p><b>[0/Close]</b>: Press this button directly to turn on or off the HDMI display and LED display</p> <p><b>[1+]</b>: Press <b>[1+]</b> then <b>[0/Close]</b>, <b>[1]~[6]</b> to select input 10~16</p> <p><b>[Scan]</b>: Press this button to star or stop automatically scan between input 1 to input 16, the interval time can be set by button <b>[Set]</b>, <b>[MIN]</b>, <b>[SEC]</b> as described above</p> |
| 11 | LAN port                         | Connect this port to local area network, then it is able to sends TCP/IP commands to select input source   |
| 12 | Power switch                     | Turn on or off power supply of the switch  |

## 16x1 Connection Diagram:



**Note:** ① HDMI cable

## Basic Operation:

### 1. Port selection

#### 1.1 Use front panel keypad

**8X1:** Directly press button [1]~[8] to select input 1~8;

**16X1:** Press button [1], and wait about 2 seconds to select input port 1;

Directly press [2]~[9] to select input port 2~9;

Press [1+], then [0/Close], [1]~[6] to select input port 10~16

#### 1.2 Use IR remote control

**8X1:** Press [1]~[8] directly to select input ports 1~8;

**16X1:** Press [1]~[16] directly to select input port 1-16;

### 2. Mute/ unmute buzzer

Press button [≡] on remote control to mute or unmute buzzer.

### 3. Turn on/off auto scan mode

#### 3.1 Front panel key pad

Press [Scan] button to start auto scanning, then the switch will automatically loop among all the powered on input sources with a specified time interval, press [Scan] again to stop scanning.

### 3.2 IR remote control

Press [P] button to start auto scanning, then the switch will automatically loop among all the powered on input sources with a specified time interval, press [P] again to stop scanning.

#### 4. Setup time interval of auto scan mode

Press front panel button [MIN] to loop between 0~59 minutes.

Press front panel button [SEC] to loop between 0~59 seconds.

After setting minutes and seconds, press button [Set] to enter final scan time interval setting.

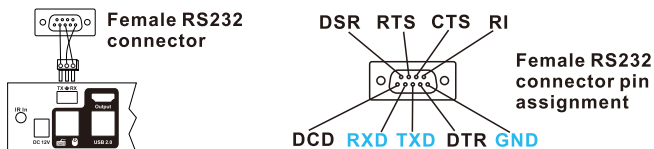
### Use of RS232 and LAN port:

The RS232 and LAN ports are used for selecting input sources, when you want to switch the input sources by a termination control devices.

**For the software application packages or the API document for the RS232 and LAN port please contact with our sales. (Only for windows system)**

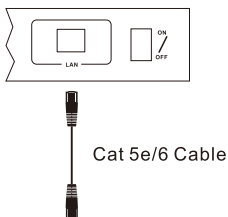
## 1. Connect RS232 port

Follow below diagram to connect the standard 9 pin RS232 port to the 3 pins connector which is included in package, then plug the connector to the switch 'TX  $\pm$  RX' port.



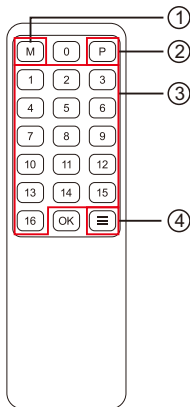
## 2. Connect LAN port

Follow below diagram to connect the LAN port to local area network router or directly to PC with Cat5e/6 UTP cable.



Connect to local area network router or directly to PC

## IR Remote Control:



- ① — Turn on/off auto input detection

When plug new HDMI input source to the 8/16 ports Switch or power on the HDMI input source, the HDMI switch will automatically select the input port that is connected to this input source. press [M] again to stop auto input detection

- ② — Turn on/off auto scanning mode

Switch will automatically switch among all the powered on input sources within the specified time interval, press [P] again to stop auto scanning

- ③ — Select input port

**8x1:** Press [1]~[8] to select input 1~8;

**16x1:** Press [1]~[16] to select input 1~16

- ④ — Mute/unmute buzzer

**Note:** 1.Other buttons are invalid.

2. The battery slot on the back of remote control is equipped with an insulation splice . Remove it when you use it and reinsert it into the remote control after use to extend battery life.

3. Please install AAA batteries before use.

## **Warranty Information :**

We warrant this product as free of defects in material and workmanship for a period of one (1) year from the date of shipment.

If during the period of warranty this product proves defective under normal use, we will repair or replace this product, provided that this product has not been subjected to mechanical, electrical, or other abuse or modifications. If it fails under conditions other than those covered will be repaired at the current price of parts and labor in effect at the time of repair. Such repairs are warranted for six (6) months from the day of reshipment to the buyer.